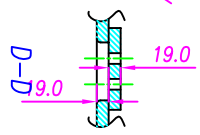
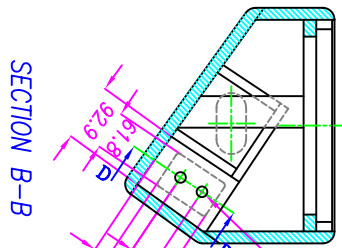
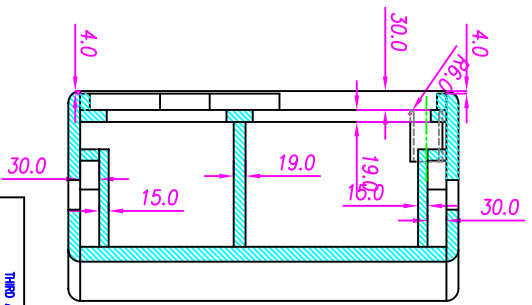
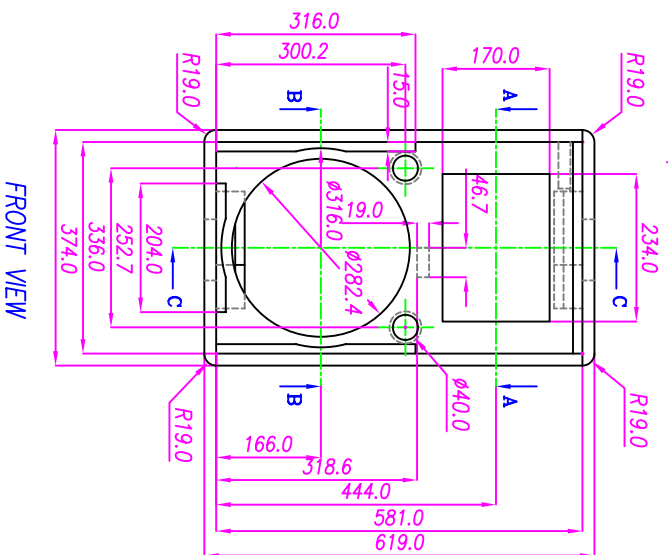


ခေါက်ပုံ (ခံ့ခါ)



NOTES:

1. MATERIAL: PLYWOOD THICK=19mm.
2. FINISH:
3. DIMENSIONS: DIMENSIONS ARE IN MILLIMETERS.
4. CONTROL CHARACTERISTICS (■)
5. TOLERANCES: UNLESS OTHERWISE SPECIFIED, ANGULAR DECIMALS F.T. X.XX±0.09

THIRD ANGLE PROJECTION		ENGINEER	DATE	 P.AUDIO SYSTEM CO.,LTD. BANGKOK, THAILAND
UNLESS OTHERWISE SPECIFIED INTERPRET THIS DRAWING PER AIS 1145M-1982		Q.C.	26/07/03	
NOTE: P.AUDIO PROPRIETARY RIGHTS ARE INCLUDED HEREIN. THIS INFORMATION MAY NOT BE COPIED, TRANSMITTED OR DISCLOSED EXCEPT AS AUTHORIZED BY P.AUDIO SYSTEM CO.,LTD.		APPROVED	DATE	DESCRIPTION
			26/07/03	
			26/07/03	
			26/07/03	
SCALE	SIZE	CLASS	DRAWING NO.	REV.
1:6.5	A3	PT	LS-H1202	A

REV.	DATE	REVISION	NAME
A	26/07/03	REV.1	NA