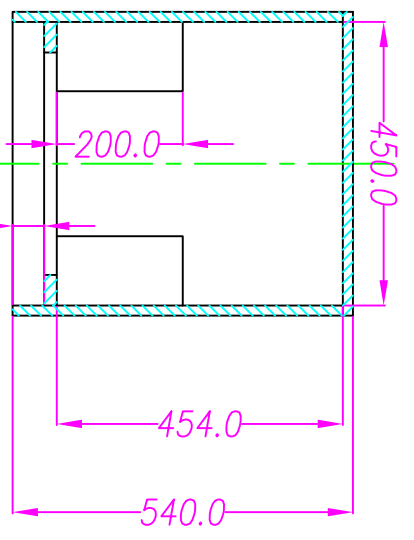
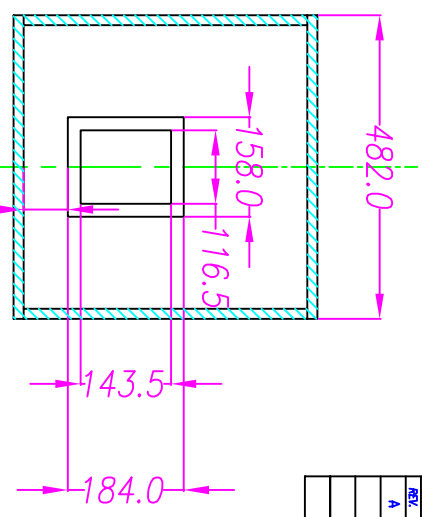


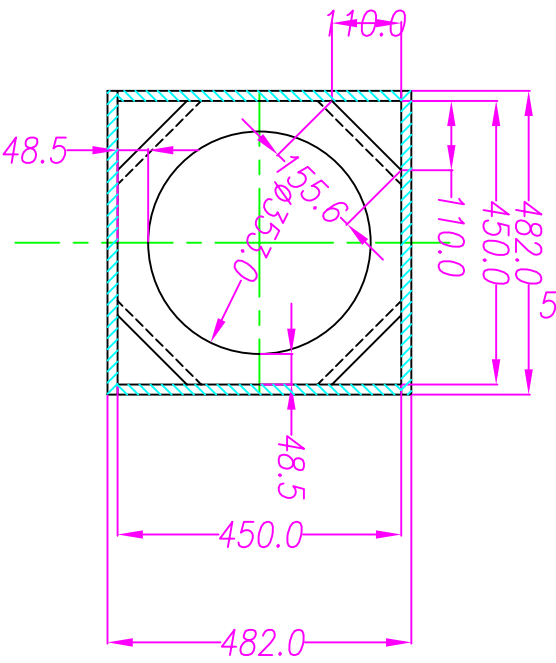
REV.	DATE	REVISIONS	NAME
A	24/09/02	DRAWING	NK



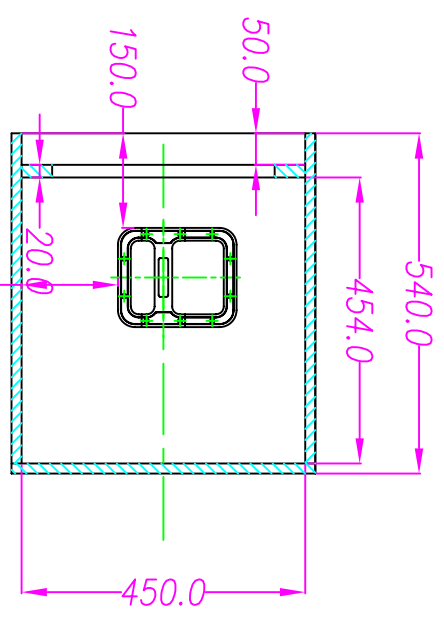
TOP VIEW



BACK VIEW



FRONT VIEW



SIDE VIEW



DRAWER  
NAKORN

DATE  
24/09/02



PAUDIO SYSTEM CO., LTD.  
PAUDIO SYSTEM CO., LTD.