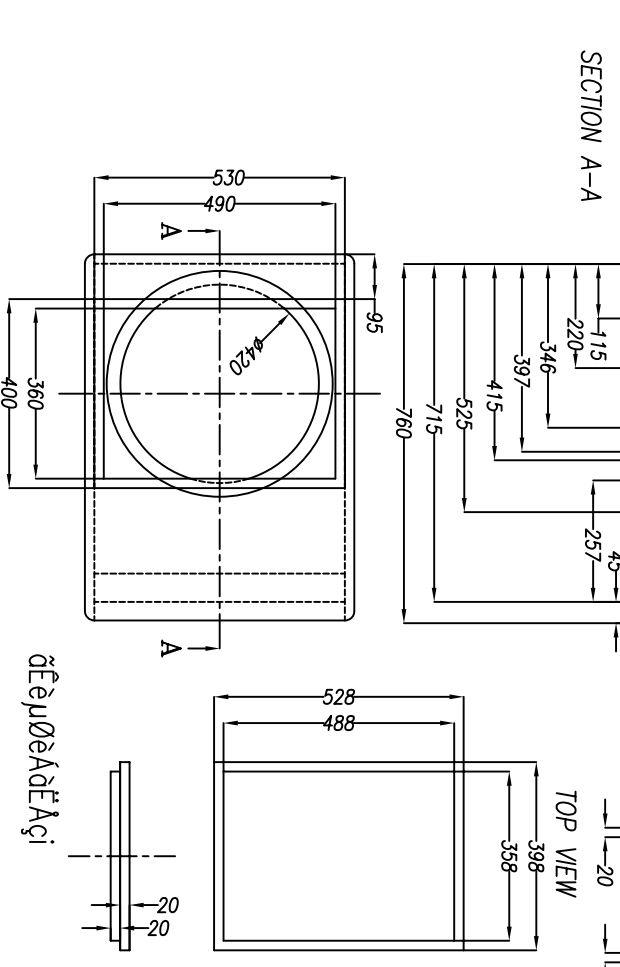
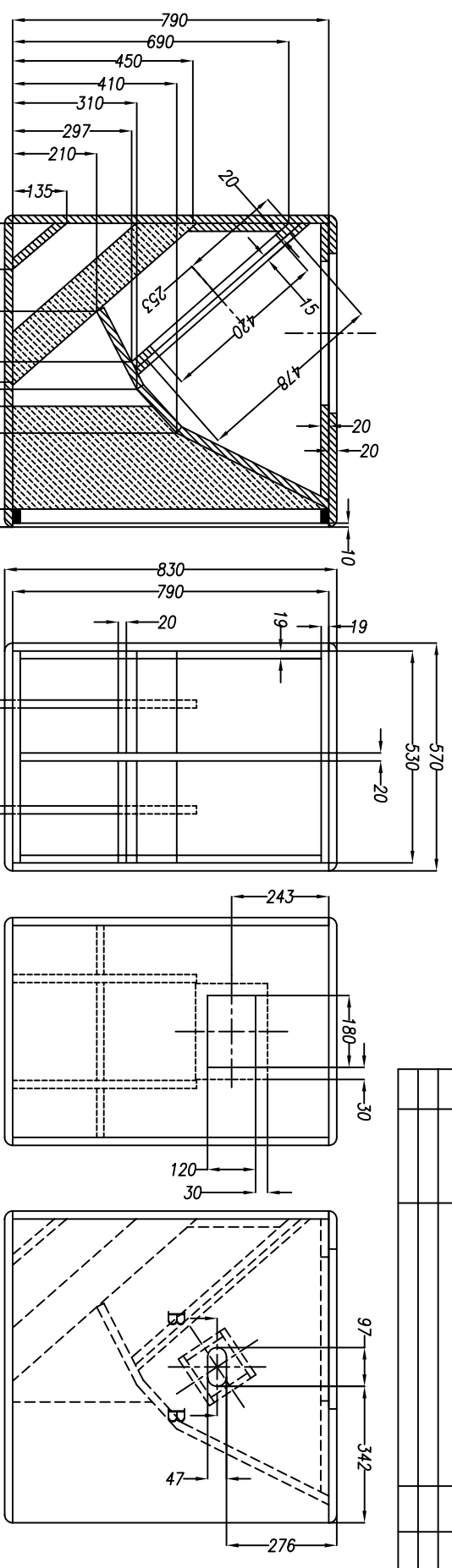


| REV. | DATE | DESCRIPTION | NAME | APPROVED |
|------|----------|-------------|----------|----------|
| A | 16/08/03 | DRAFT | MANIKORN | |
| | | | | |
| | | | | |

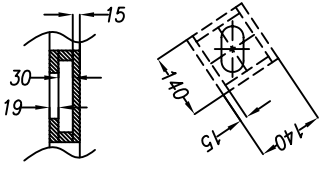


PAUDIO SYSTEM CO., LTD.

NOTES:

1. MATERIAL: PLYWOOD.
2. FINISH:
3. DIMENSIONS: DIMENSIONS ARE IN MILLIMETERS.
4. CONTROL CHARACTERISTICS (■).
5. TOLERANCES: UNLESS OTHERWISE SPECIFIED, DECIMALS ANGULAR ±1°

SECTION B-B



UNLESS OTHERWISE SPECIFIED INTERPRET THIS DRAWING PER ANSI Y14.5M-1982

NOTE: PAUDIO PROPRIETARY RIGHTS ARE INCLUDED HEREIN. THIS INFORMATION MAY NOT BE COPIED, TRANSMITTED OR DISCLOSED EXCEPT AS AUTHORIZED BY PAUDIO SYSTEM CO., LTD.

| ENGINEER | DATE | DESCRIPTION | SCALE | SIZE | CLASS | DRAWING NO. | REV. |
|----------|----------|--|-------|------|-------|-------------|------|
| | 16/08/03 | PAUDIO SYSTEM CO., LTD. BANGKOK, THAILAND | 1:10 | A3 | PT | 42046009 | A |
| APPROVED | DATE | DESCRIPTION | SCALE | SIZE | CLASS | DRAWING NO. | REV. |
| | 16/08/03 | PA-PRO18LH | 1:10 | A3 | PT | 42046009 | A |