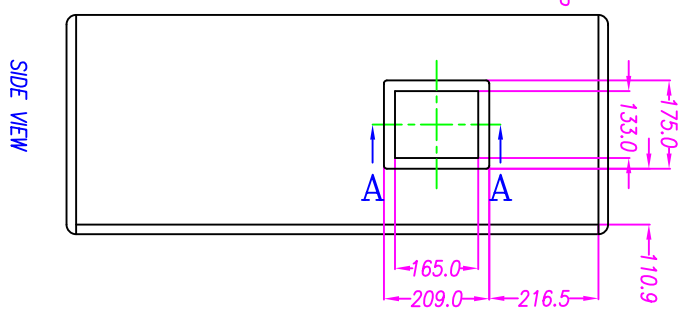
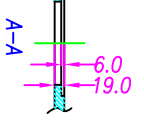


- NOTES:
1. MATERIAL: PLYWOOD
  2. FINISH:
  3. DIMENSIONS: DIMENSIONS ARE IN MILLIMETERS.
  4. CONTROL CHARACTERISTICS (■):
  5. TOLERANCES: UNLESS OTHERWISE SPECIFIED.
    - DECIMALS
    - X.X ±0.3
    - X.XX ±0.09
    - ANGULAR
    - ±1°



THIRD ANGLE PROJECTION

ENGINEER

DATE

RAJIV KUMAR

NO.	REV.	DATE	BY	CHKD.	DESCRIPTION
A		25/07/03			DRAFT
B		11/08/03			CHANGES DIMENSIONS

RAJIV KUMAR