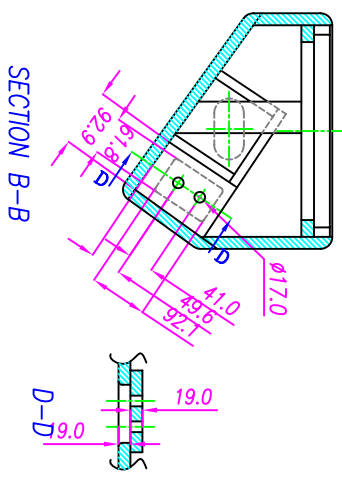
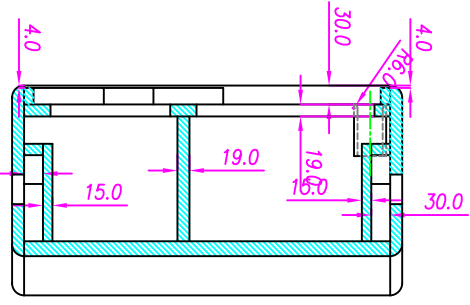
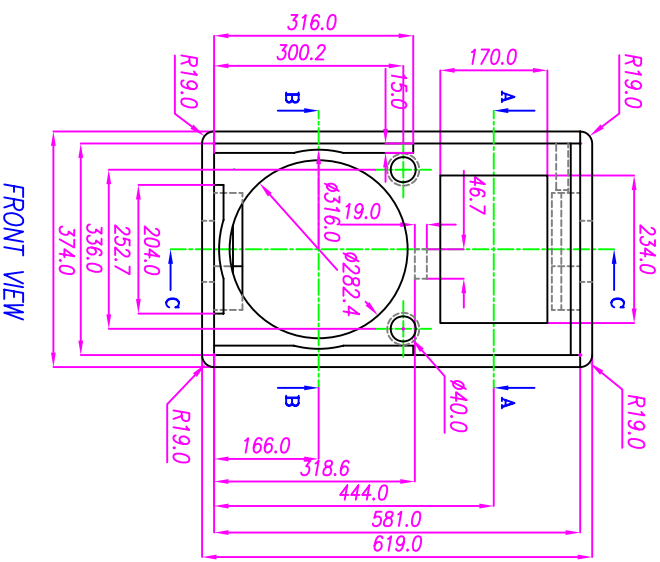
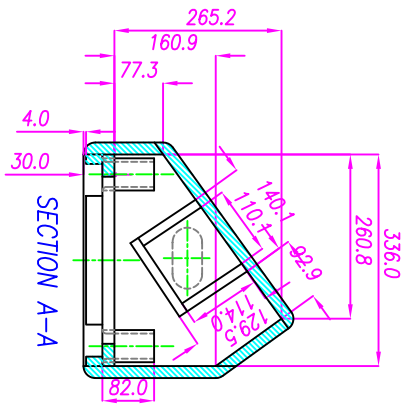


REV.	DATE	DESCRIPTION	NAME
A	26/07/03	DRAWING	TK

พาดิโอซิส (PAUDIO)



NOTES:

1. MATERIAL: PLYWOOD THICK=19mm.
2. FINISH:
3. DIMENSIONS: DIMENSIONS ARE IN MILLIMETERS.
4. CONTROL CHARACTERISTICS (M)
5. TOLERANCES: UNLESS OTHERWISE SPECIFIED, ANGULAR DECIMALS ±1° ANGULAR DECIMALS ±1°

DATE	ENGINEER	DATE	DESCRIPTION	SCALE	SIZE	CLASS	DRAWING NO.	REV.
26/07/03		26/07/03	PAUDIO SYSTEM CO.,LTD. BANGKOK, THAILAND	1:1	A3			
	Q.C.							
		26/07/03						

THIRD ANGLE PROJECTION

UNLESS OTHERWISE SPECIFIED INTERPRET THIS DRAWING PER AIS 1142M-1982

NOTE: PAUDIO PROPRIETARY RIGHTS ARE INCLUDED. HEREIN, THIS INFORMATION MAY NOT BE COPIED, TRANSMITTED OR DISCLOSED EXCEPT AS