



212 GST-TW

The 212 GST-TW was designed to provide an optimized bandwidth response for the P Audio GST 12500. The 212 GST-TW is a dual element vertical array in a vented design that will provide excellent bandwidth and high sound pressure level performance to the lowest response range of the GST 12 inch woofers. The enclosure is designed to provide the proper loading and bandwidth for the woofer components and also features a “blank” face section above the 12 inch transducers where a wide variety of professional horns and compression drivers may be mounted. The 212 GST-TW is a medium format design that is very portable and can be used in both indoor environments and outdoor non permanent install applications where ease of use and quick set-up are required. The 212 GST-TW offers long throw performance. The enclosure provides ultimate performance when constructed with high quality void free plywood.

The 212 GST-TW design includes full enclosure plans. Additional enclosure construction tips and recommendations can be found in the P Audio document titled “Enclosure Construction Tips”.

The 212 GST-TW can be fully optimized by using a high quality DSP based loudspeaker processor. The recommended high pass filter is a 4th order Butterworth (24dB/Oct) with a corner frequency of 50Hz.



Horn of Customers choice goes here



CUT AWAY

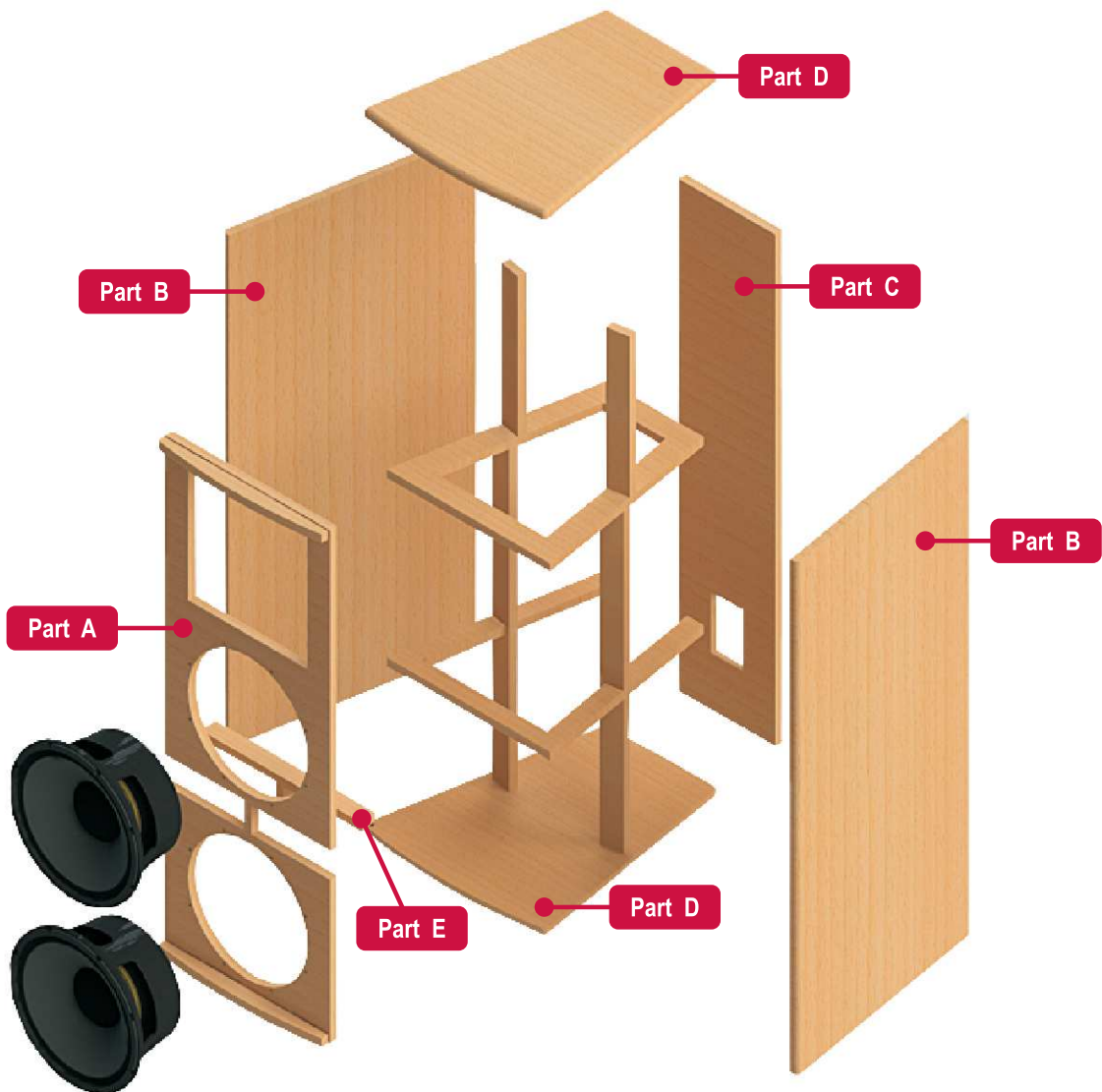


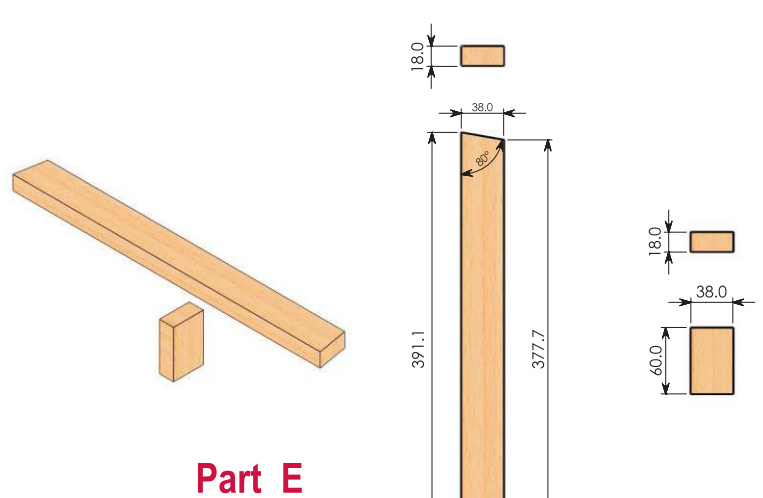
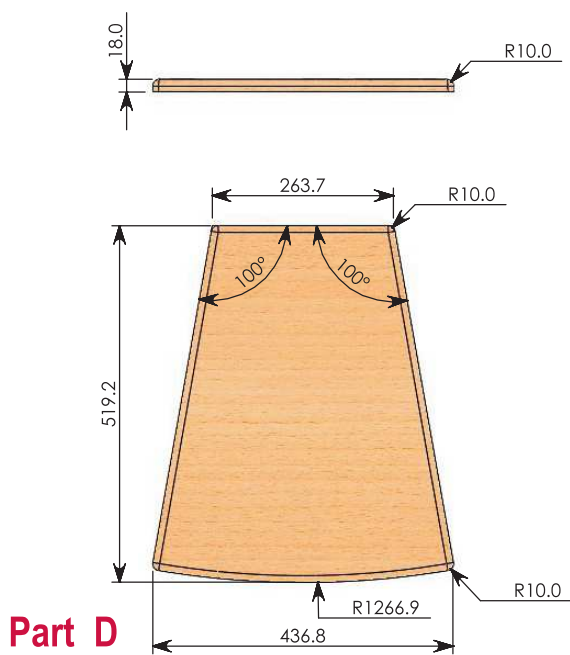
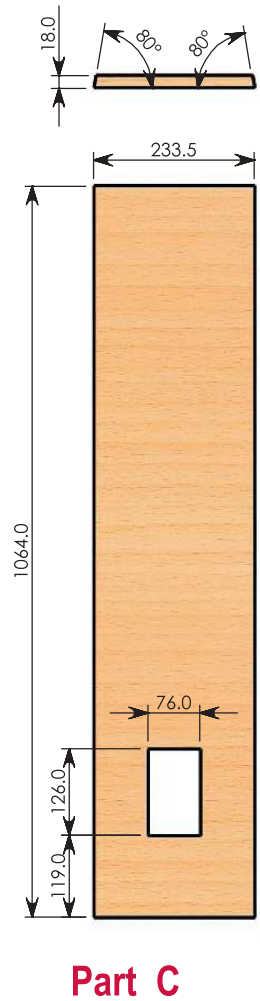
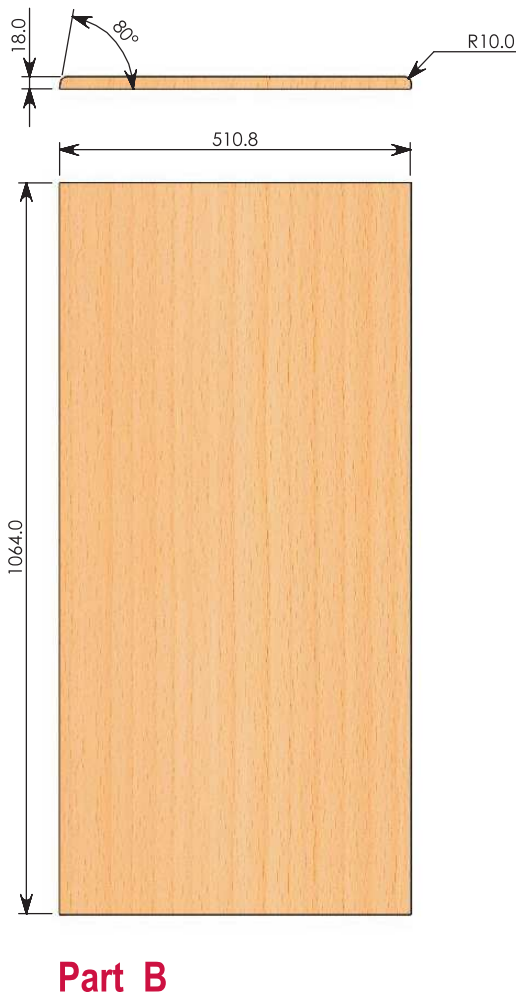
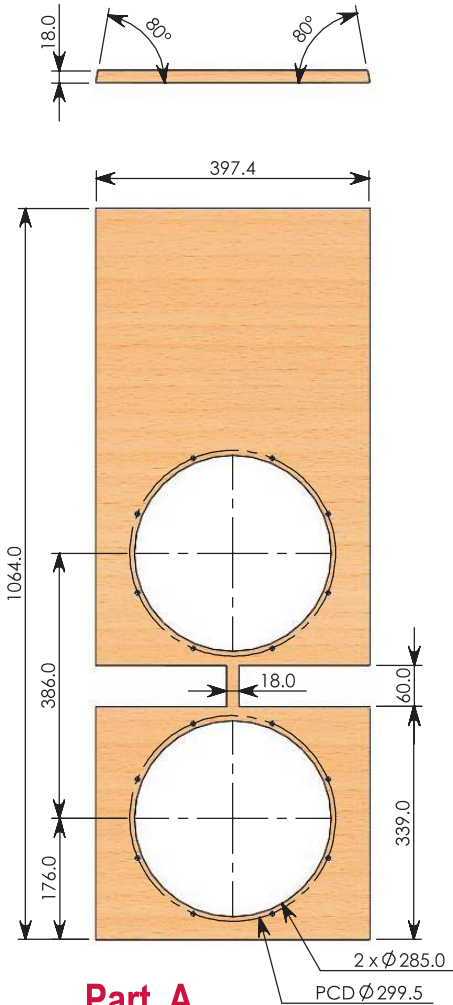
FRONT VIEW

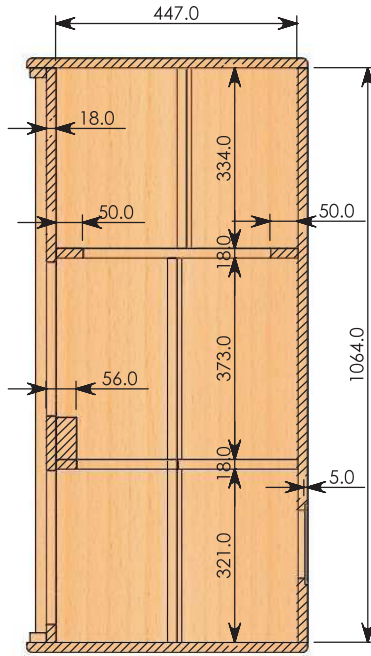
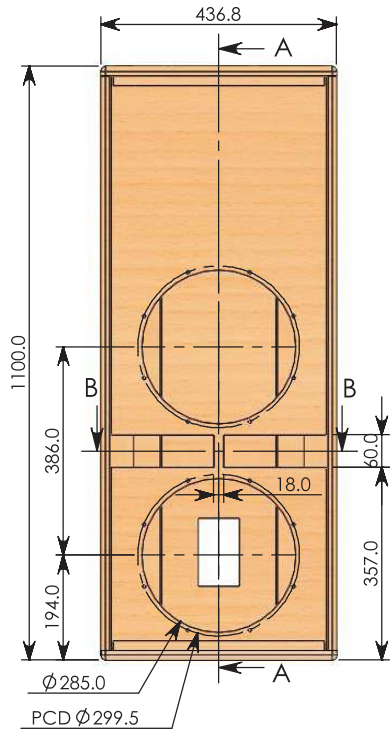


BACK VIEW

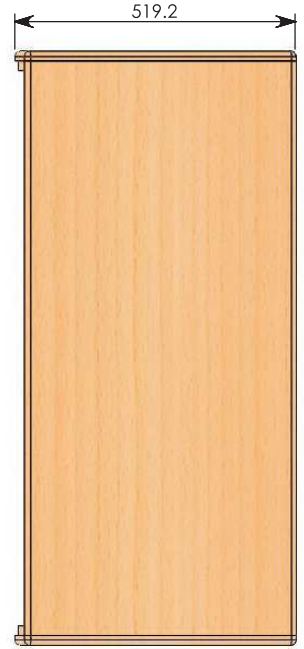
PART LIST







SECTION A-A



PCD $\phi 299.5$

