



215 GST-SUB Wooden Cabinet

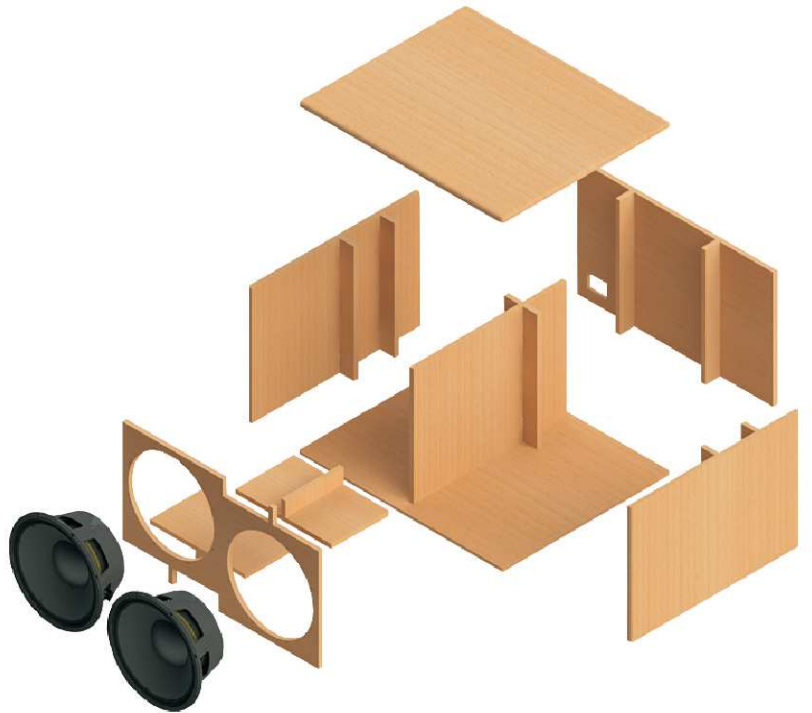


215 GST-SUB

The 215 GST-Sub was designed to provide an optimized bandwidth response for the P Audio GST 151200 and the GST 15500. The dual 15 inch design provides additional mutual coupling for each of the two GST woofers and further extends low frequency performance. The use of double 15 inch transducers provides reduced moving mass and increased transient response when compared to larger diameter transducers. The 215 GST-Sub is a vented design that will provide extended bass and high sound pressure level performance to the lowest response range of the GST 15 inch woofers. The 215 GST-Sub is a large format enclosure that is excellent for both ultra- high pressure dance club environments as well as long throw outdoor, non permanent install applications where "fast" response and excellent transient detail are required. The enclosure provides ultimate performance when constructed with high quality void free plywood.

The 215 GST-Sub design includes full enclosure plans. Additional enclosure construction tips and recommendations can be found in the P Audio document titled "Enclosure Construction Tips".

The 215 GST-Sub can be fully optimized by using a high quality DSP based loudspeaker processor. The recommended high pass filter is a 4th order Butterworth (24dB/Oct) with a corner frequency of 45Hz. When the 215 GST-Sub is loaded with either the GST 151200 or the GST 15500 high performance woofers the recommended low pass filter (high frequency crossover) is a 4th order Linkwitz-Riley with a crossover frequency of 80Hz to 100Hz.



CUT AWAY

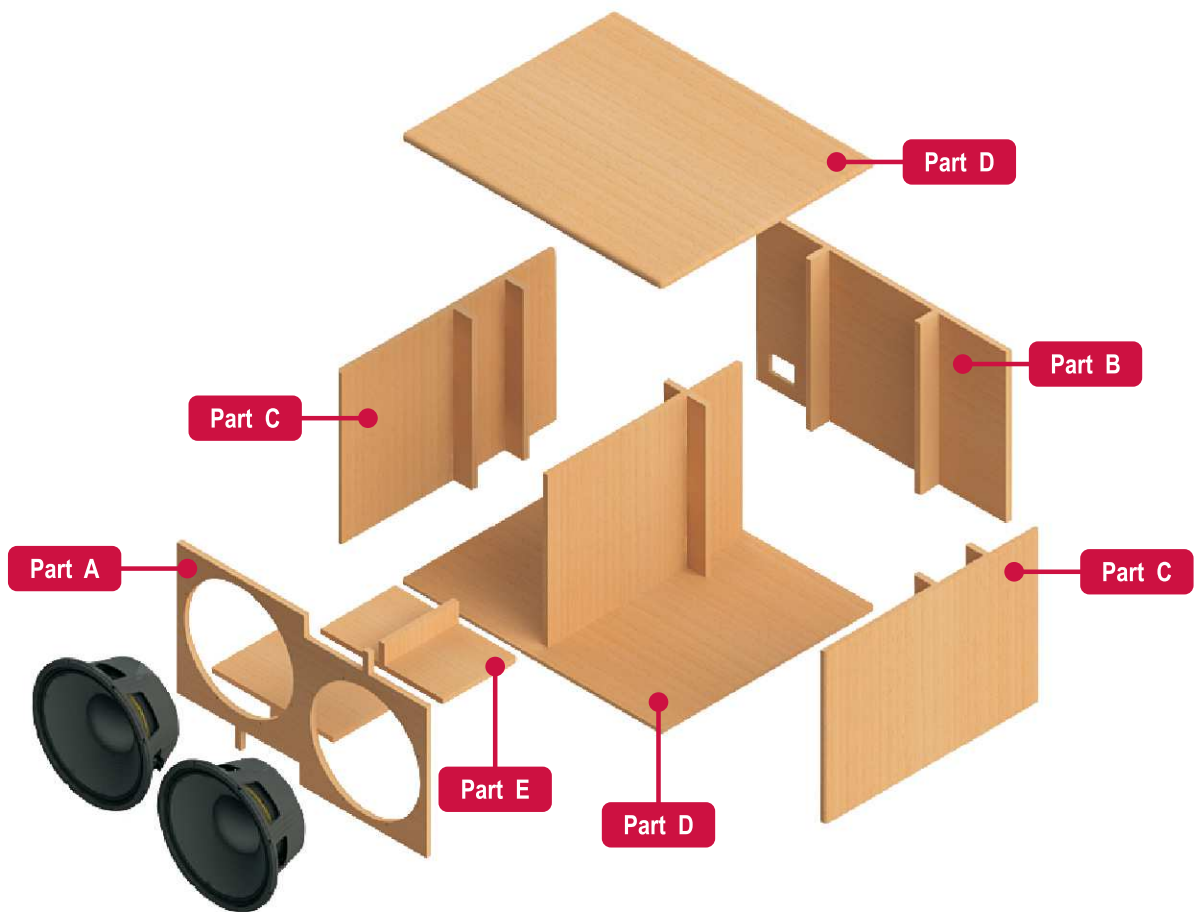


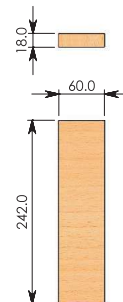
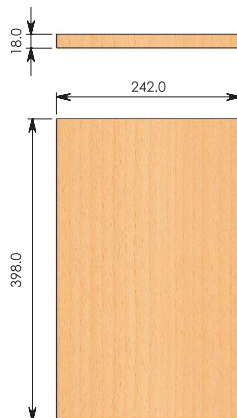
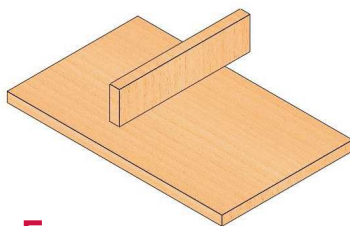
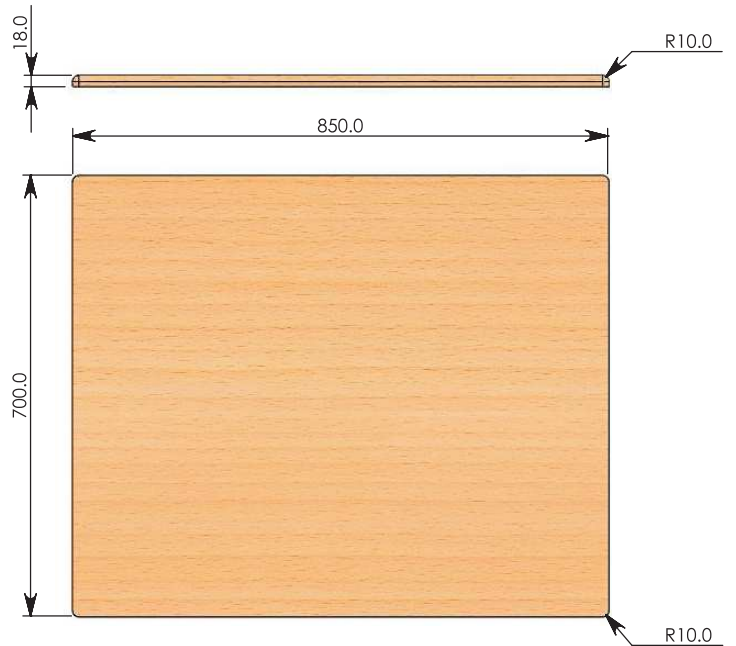
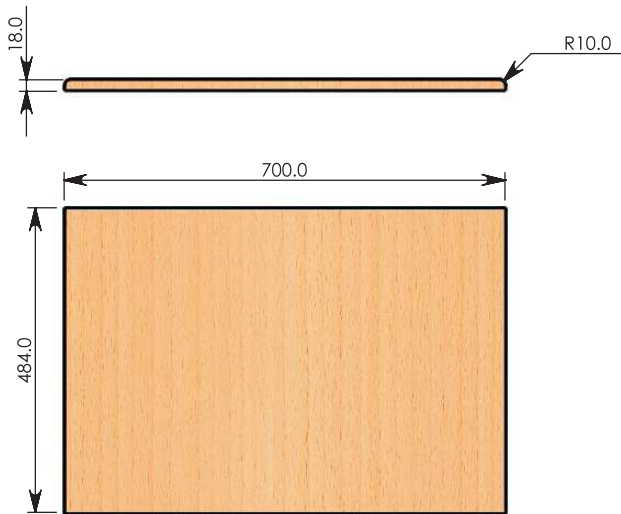
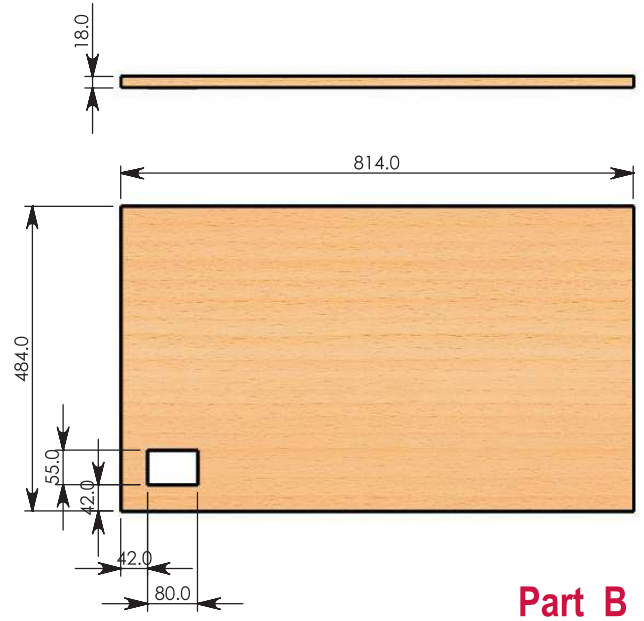
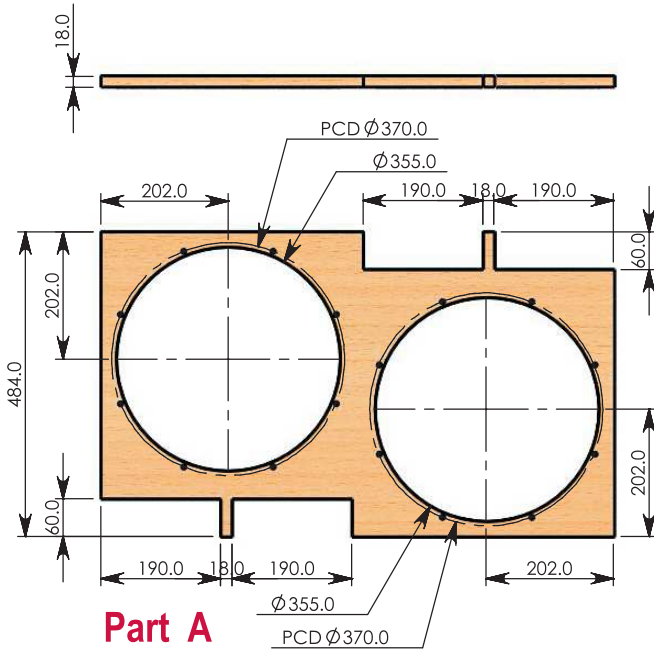
FRONT VIEW

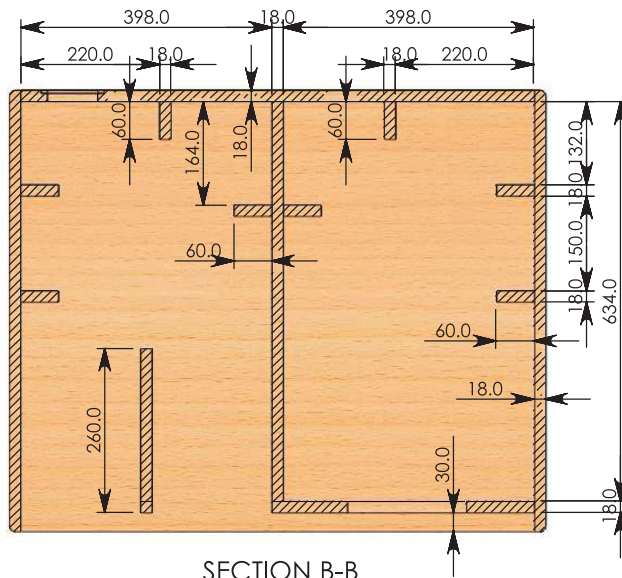
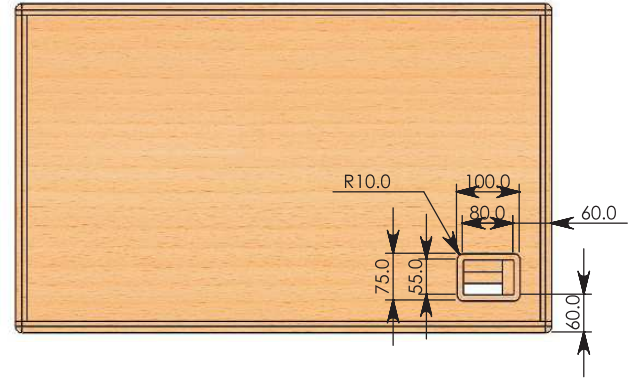
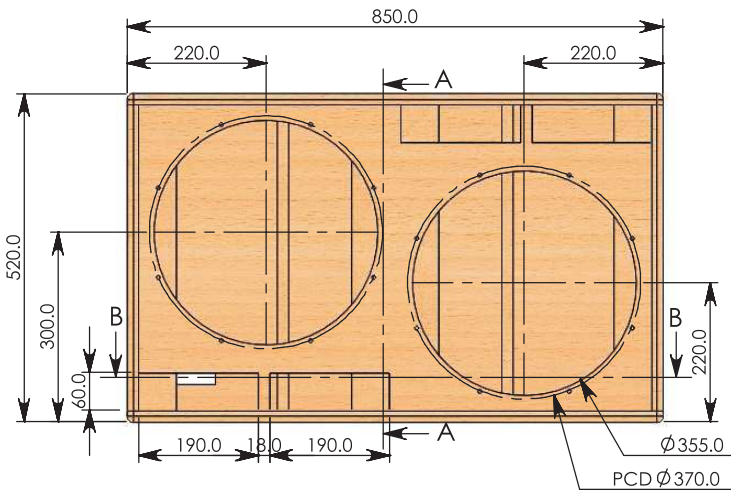


BACK VIEW

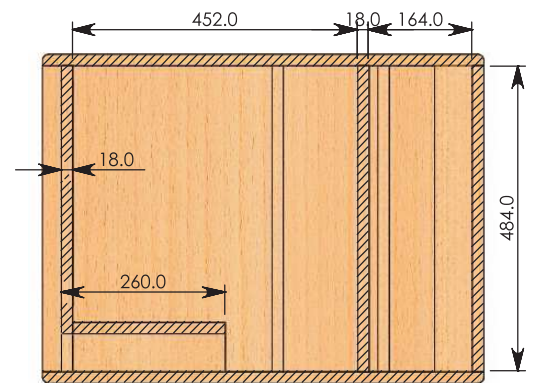
PART LIST



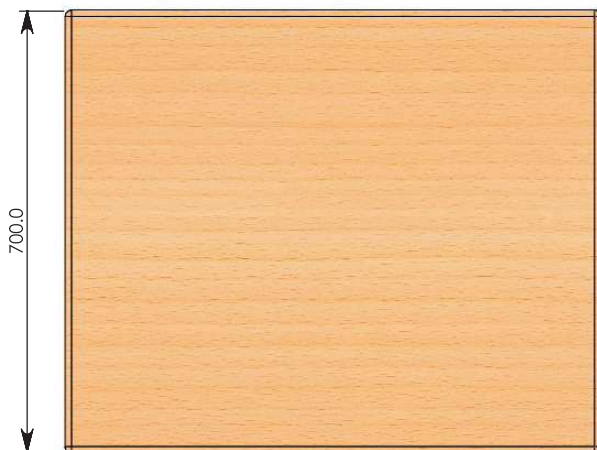




SECTION B-B



SECTION A-A



TOP VIEW

