



### Specifications

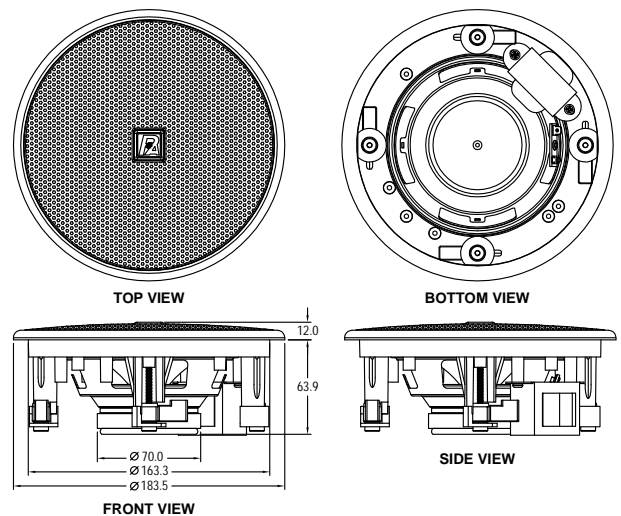
Speaker Type	Full-range
LF Component	5"(127 mm) Cone
HF Component	
Power Rating	15 Watts
Sensitivity (1W@1M)	86 dB
Frequency Response	80Hz - 18kHz
Transformer Input Rated	2.5W / 5W / 10W
Dimension (WxD)	Ø 7.22"(183.5 mm) x 3"(75.9 mm)
Baffle Cutout Dimension	Ø 6.53"(166 mm)
Net Weight	0.9 kg / 2 lbs
Shipping Weight ( 2 pcs)	1.9 kg / 4.2 lbs

### Applications

The P Audio PCS-5FNT incorporates newly developed grill and bezel designs that allow these products to integrate into a wide variety of architectural spaces.

The P Audio PCS-5FNT is a nominal 5 inch (127mm) diameter full range ceiling loudspeaker system. The overall outside diameter of the system is 7.22 inches (183.5mm). the PCS-5FNT offers a full 15 watts of program power handling, making the system ideal for medium height ceiling installations. The unit is equipped with a wide bandwidth line matching transformer for large scale distributed installations. The power taps are 10 watts, 5 watts, and 2.5 watts. The PCS-5FNT exhibits wide bandwidth and has a rated frequency response of 80Hz to 18kHz.

The PCS-5FNT was designed for background music systems as well as vocal range reproduction. The PCS-5FNT has an integral mounting system that will accommodate a variety of ceiling materials and dimensions.



### Frequency Response

