



Specifications

Speaker Type	2-way Coaxial
LF Component	6"(152 mm) Cone
HF Component	1.5"(42 mm) PEI
Power Rating	30 Watts
Sensitivity (1W@1M)	91 dB
Frequency Response	65Hz - 20kHz
Transformer Input Rated	2.5W / 5W / 10W
Dimension (WxD)	Ø 8.39"(213 mm) x 3.43"(87.2 mm)
Baffle Cutout Dimension	Ø 7.6"(193 mm)
Net Weight	1.5 kg / 3.3 lbs
Shipping Weight (2 pcs)	3.3 kg / 7.3 lbs

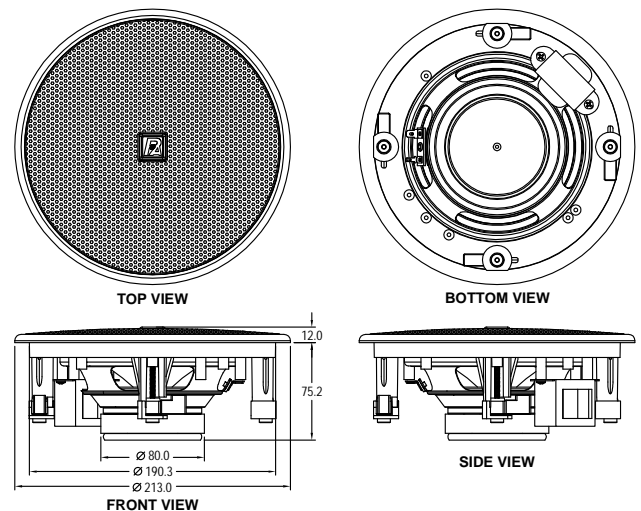
Applications

The P Audio PCS-6CFT incorporates newly developed grill and bezel designs that allow these products to integrate into a wide variety of architectural spaces.

The PCS-6CFT is a coaxial high performance ceiling loudspeaker system. The design features an overall outside diameter of 8.39 inches (213mm) and utilizes a nominal 6 inch (152mm) low frequency woofer. The coaxial mounted high frequency transducer insures clean upper range vocal performance and extended high frequency response. The PCS-6CFT features a 30 watts program power rating, making the system ideal for standard ceiling heights.

The PCS-6CFT has a rated frequency response of 65Hz to beyond 20kHz, making the product an ideal choice for high performance, high fidelity background music systems and general paging systems.

The PCS-6CFT has an integral mounting system that will accommodate a wide variety of ceiling materials and dimensions.



Frequency Response

