



**PRODUCT SPECIFICATION SHEET**

**Woofer / Co-Axial**

**Model Name:** G15-400MB

**General Specifications**

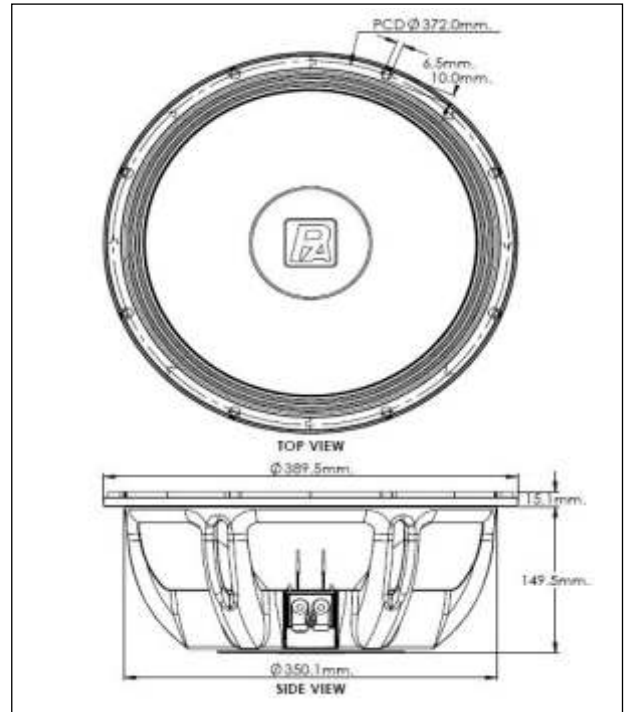
|                                    |                          |          |                                     |        |
|------------------------------------|--------------------------|----------|-------------------------------------|--------|
| Type                               | <input type="checkbox"/> | Co-Axial | <input checked="" type="checkbox"/> | Woofer |
| Nominal Diameter                   | 15                       | inch     | 381.0                               | mm     |
| Rated Impedance                    | 8                        | $\Omega$ |                                     |        |
| Power Handling Capacity            | 400                      | W(AES)   |                                     |        |
| Operating Bandwidth ( $\pm 10$ dB) | 40-3k                    | Hz       |                                     |        |
| Sensitivity @ 1W 1M                | 97                       | dB       |                                     |        |
| Effective Piston Diameter          | 333.0                    | mm       | 13.1                                | inch   |
| Voice Coil Diameter                | 76.2                     | mm       | 3.0                                 | inch   |

**Physical Diameter**

|                        |                   |    |      |      |
|------------------------|-------------------|----|------|------|
| Overall Diameter       | 389.5             | mm | 15.3 | inch |
| Baffle Cutout Diameter | 350.1             | mm | 13.8 | inch |
| Mouting Hole Diameter  | 372.0             | mm | 14.6 | inch |
| Bolt Circle Diameter   | 8 x $\phi$ 6.5 mm |    |      |      |
| Depth                  | 149.5             | mm | 5.9  | inch |

**Physical Information**

|                  |           |           |              |         |
|------------------|-----------|-----------|--------------|---------|
| Magnet           | Type      | Ferrite   |              |         |
|                  | Size (mm) | 190       | 82           | 20      |
|                  | Weight    | 81.4 oz.  |              |         |
| Basket           | Material  | Aluminium |              |         |
|                  | Color     | Black     |              |         |
| Voice Coil       | Wire      | SV-W      |              |         |
|                  | Former    | KSV       |              |         |
| Cone             | Paper     |           |              |         |
| Surround         | Cloth     |           |              |         |
| Dust Cap         | Paper     |           |              |         |
| Spider           | Cotton    |           |              |         |
| Gasket           | EVA       |           |              |         |
| Unit Weight      | (kg)      | 7.85      |              |         |
| Packing Quantity | 1         |           |              |         |
| size             | (mm)      | 415       | 415          | 200     |
|                  | (inch)    | 16.3      | 16.3         | 7.9     |
|                  | cu.ft     | 1.22      | Gross Weight | 8.90 kg |



**Thiele - Small Parameters**

|                                |           |          |                 |
|--------------------------------|-----------|----------|-----------------|
| Resonance Frequency            | $F_s$     | 50       | Hz              |
| DC Resistance                  | $R_e$     | 5.6      | $\Omega$        |
| Mechanical Q Factor            | $Q_{ms}$  | 7.86     |                 |
| Electrical Q Factor            | $Q_{es}$  | 0.43     |                 |
| Total Q Factor                 | $Q_{ts}$  | 0.41     |                 |
| BL Factor                      | $BL$      | 18.96    | T x m           |
| Moving mass including surround | $M_{ms}$  | 88.06    | g               |
| Moving mass excluding surround | $M_{md}$  | 73.02    | g               |
| Equivalent Cas air load        | $V_{as}$  | 125.69   | liters          |
| Effective piston area          | $S_d$     | 881.4    | cm <sup>2</sup> |
| Voice - coil inductance @ 1KHz | $L_e$     | 0.71     | mH              |
| Half-space efficiency          | $Eff$     | 3.56     | %               |
| Mechanical compliance          | $C_{ms}$  | 1.1 e-04 | m/N             |
| Loss resistance of suspension  | $R_{ms}$  | 3.53     | Ns/m            |
| Voice Coil Over-Hung           | $X_{max}$ | 4.8      | mm              |
| Airgap Height                  | $H_{ag}$  | 9.0      | mm              |
| Voice coil Height              | $H_{vc}$  | 18.5     | mm              |

**High Frequency**

|                     |   |
|---------------------|---|
| Diaphragm           | - |
| Voice coil size     | - |
| Voice coil material | - |

Power Test       HI Pot       Other .....

|                      |   |    |   |      |
|----------------------|---|----|---|------|
| Apply Voltage        | - | V  | - | hour |
| High pass / Low pass | - | Hz | - | Hz   |

**Frequency Response**

