



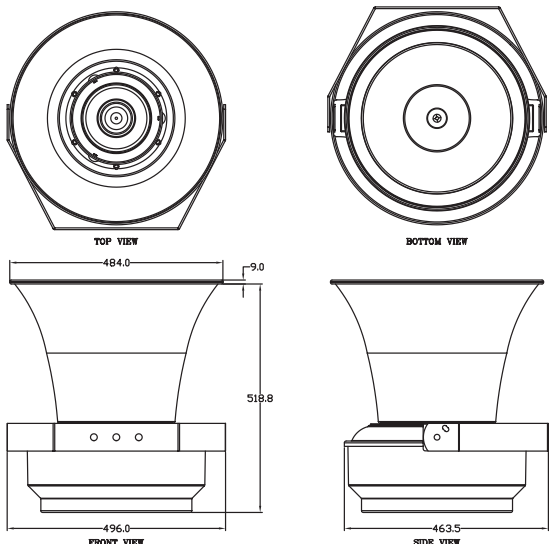
Paging Horn

TH-300



Specifications

Nominal Impedance	8 or 16 Ohm
Power	300 Watt
Sensitivity	Over 130 dB
Frequency Response	200 Hz – 7 kHz
Nominal Coverage Angle	40° (Conical)
Dimension	Ø 484mm x 518mm Ø 19.1" x 20.4"
Finish Color	White
Component	4 x PA-D110
Construction	Press Aluminum
Unit Weight	17.6 kg (38.7 lbs)
Shipping Weight	22.8 kg (50.2 lbs)
Packing Dimension HxWxD (cm)	52 x 52 x 58 (5.8 cu.ft)



Applications

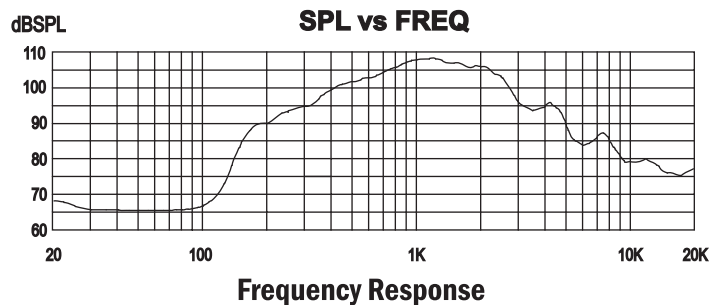
TH-300

The P Audio TH-300 is a very high output paging system that features 4 PA-D110 compression drivers in a manifold configuration. This configuration allows the 4 drivers to sum into the TH-300 reentrant wide range horn. The TH-300 is rated for a program power of a full 300 watts and continuous operation of 200 watts.

The system has been subjected to accelerated life tests for over 100 hours of non-stop operation. This reliability and power handling allow the TH-300 to produce over 130dB of sound pressure level at one meter. This provided excellent throw in large spaces.

The TH-300 has a rated bandwidth of 200Hz to 7 kHz and is ideal for both vocal fundamentals as well as critical vocal harmonics. The extended bandwidth provides excellent intelligibility and vocal clarity. The TH-300 is available in either 8 ohm or 16 ohm versions. The 16 ohm version is ideal for applications where multiple TH-300 paging systems are specified in parallel for larger coverage applications. The system is provided with an integral mounting bracket for fast and easy installation.

The TH-300 is weather resistant and ideal for use in both outdoor and indoor applications where voice range paging is required. The TH-300 is a large format design designed for high power and high sound pressure level applications.



19/4,6,7 Moo 2 T.Bangkratuek A.Sampran Nakhon Pathom 73210 Thailand
 Tel: +66-2-441-6600 Auto 30 Lines
 e-mail: info@paudiothailand.com
 Web site: www.paudiothailand.com
 All rights reserved by P.Audio System Co., Ltd. 2014

