

XT-15 TWO WAY PASSIVE FULL RANGE



APPLICATIONS

- Compact Portable Sound Reinforcement
- Medium Format Fixed Installation

FEATURES

- 1600w Peak Power Handling (800w Program, 400w AES)
- High Sensitivity
- Multiple Rigging Points
- 90 x 40 (Horizontal x Vertical) Dispersion Pattern
- Superior Time Domain Performance

The P.Audio XT-15 is a compact professional sound reinforcement system designed for both foreground and background applications. The 15 inch (381mm) low frequency woofer offers extended low frequency response in a narrow profile design. The large 44mm compression driver with titanium diaphragm, coupled to the aluminium 90x40 horn offers superb transient response and controlled dispersion. The XT-15 is ideal for fixed installation applications such as restaurants, bars and general purpose public address and full range music systems.

The XT-15 is a full range design that employs high order passive networks for excellent summing and balance for the individual components and offering a higher degree of reliability. The power handling is rated at 400w continuous with a peak input power capability of 1600 watts. System impedance is rated at 8 ohms.

The enclosure is a very high quality plywood and finished in a very durable polyurea coating. The system includes a top hat system and an optional U bracket to allow fixed installation. The XT-15 may also be suspended using the P.Audio M10 Eye Bolt Kit. The XT-15 is a very high performance design that features simple mounting options for use in a variety of indoor applications.

XT SERIES

WWW.PAUDIOTHAILAND.COM



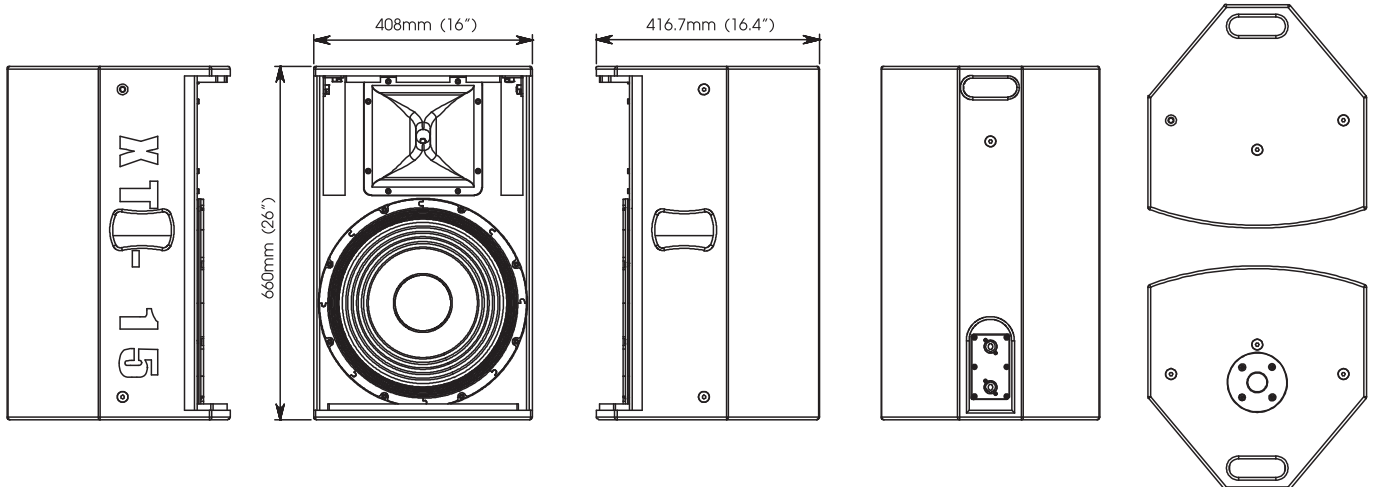
XT-15 TWO WAY PASSIVE FULL RANGE



SPECIFICATIONS

Frequency Response (-10dB)	50Hz - 20kHz
Sensitivity (1w/1m)	95dB
Maximum Peak SPL	126dB
Dispersion(H x V)	90° x 40°
LF Components	15" Woofer
HF Components	1.7" Compression Driver
Input Impedance	8 Ohms
Connections	2 X Speakon Connectors
Power Handling	400w Continuous 800w Program 1600w Peak
Net Weight	26 kg / 57.3 lbs
Dimensions (HxWxD)	583 x 332 x 338.4 (mm) 23 x 13.1 x 13.3 (in)

DIMENSIONS



XT SERIES

WWW.PAUDIOTHAILAND.COM

