

# XT-15 SUB COMPACT ACTIVE SUBWOOFER



## APPLICATIONS

- Extended Low Frequency Output
- Very Compact Portable Sound Reinforcement Sub Woofer
- Small Venue High Impact Sub

## FEATURES

- Fully Powered 1200 Watt Peak Amplification
- High Order Precision Active Filtering
- High Pass Filtered Output
- 15" Compact Low Throw Transducer
- Optimized For Small to Medium Format Venues

The P Audio XT-15 Sub is a compact professional sound reinforcement subwoofer designed for use with compact sound reinforcement systems that require extended deep bass response. The XT-15 Sub is a powered design that includes a 1200 watt peak (600 watt continuous) amplifier module. The amplifier module features a line level high pass filtered output and both gain and phase control features. The XT-15 Sub incorporates a long throw 15 inch (381mm) transducer mounted in an optimally vented enclosure. The enclosure has a threaded (M20) pole adaptor. An optional pole is available to will mate the XT-15 Sub with either the P Audio XT-8 or XT-10. Combining the XT-15 Sub with either of the XT top enclosures in a bi amplified design will produce a very powerful system that yields deep, extended bass and substantial sound pressure level in a extremely compact design. Maximum peak SPL is 126dB. The XT-15 Sub features electronically balanced XLR inputs.

The enclosure is constructed with high quality plywood and finished in a very durable polyurea coating. The XT-15 Sub is a very high performance design that features extended low frequency response and superior reliability for use in a variety of indoor applications.

The XT-15 Sub is a very versatile design and functions well with not only the XT-8 and XT-10 but also with the Compact Series and the Gallardo when deep sub bass is required.

**XT SERIES**

[WWW.PAUDIOTHAILAND.COM](http://WWW.PAUDIOTHAILAND.COM)



# XT-15 SUB COMPACT ACTIVE SUBWOOFER



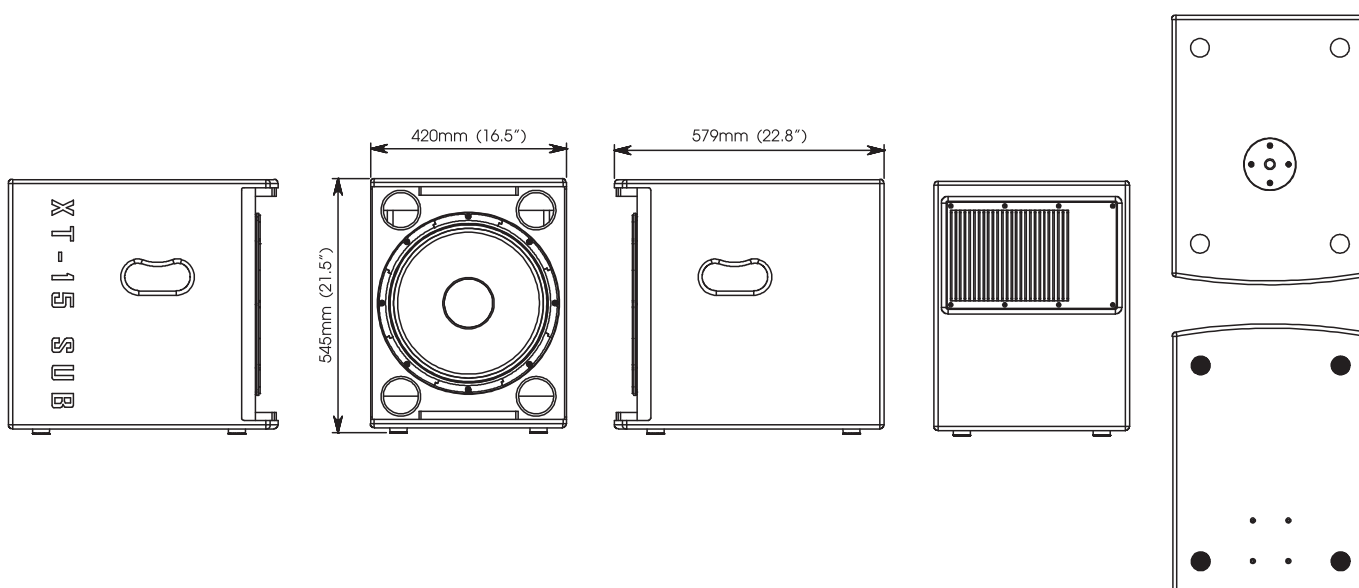
## SPECIFICATIONS

Frequency Response (-10dB)	40 - 120Hz
Maximum Peak SPL	129 dB in Half Space Acoustic Environment 126 dB in Anechoic Environment
LF Components	15" Woofer
Coverage Pattern	Omnidirectional
Connections	XLR Line Input, XLR Line output (Link)
Input Impedance	Line 22k $\Omega$ Balanced
Input Sensitivity	Line XLR 0.775V (0 dBu)
Control	Sub Level Control Voltage Select 115V-230V Phase Control
Power Output	600W RMS Low Frequency Class AB 1,200W PEAK Low Frequency Linear Power Supply
Protection Circuits	Turn on delay, Short Circuit Protection, DC Voltage Protection, Peak voltage limiter, Over Temperature protection
Net Weight	35 kg / 77.2 lbs
Dimensions (HxWxD)	545 x 420 x 579 (mm) 21.5 x 16.5 x 22.7 (in)

## DIMENSIONS

## OPTIONAL ACCESSORIES

- M20 Pole mount



**XT SERIES**

WWW.PAUDIOTHAILAND.COM

